

 White Noise

 Libre Space Foundation

Cronos Rocket



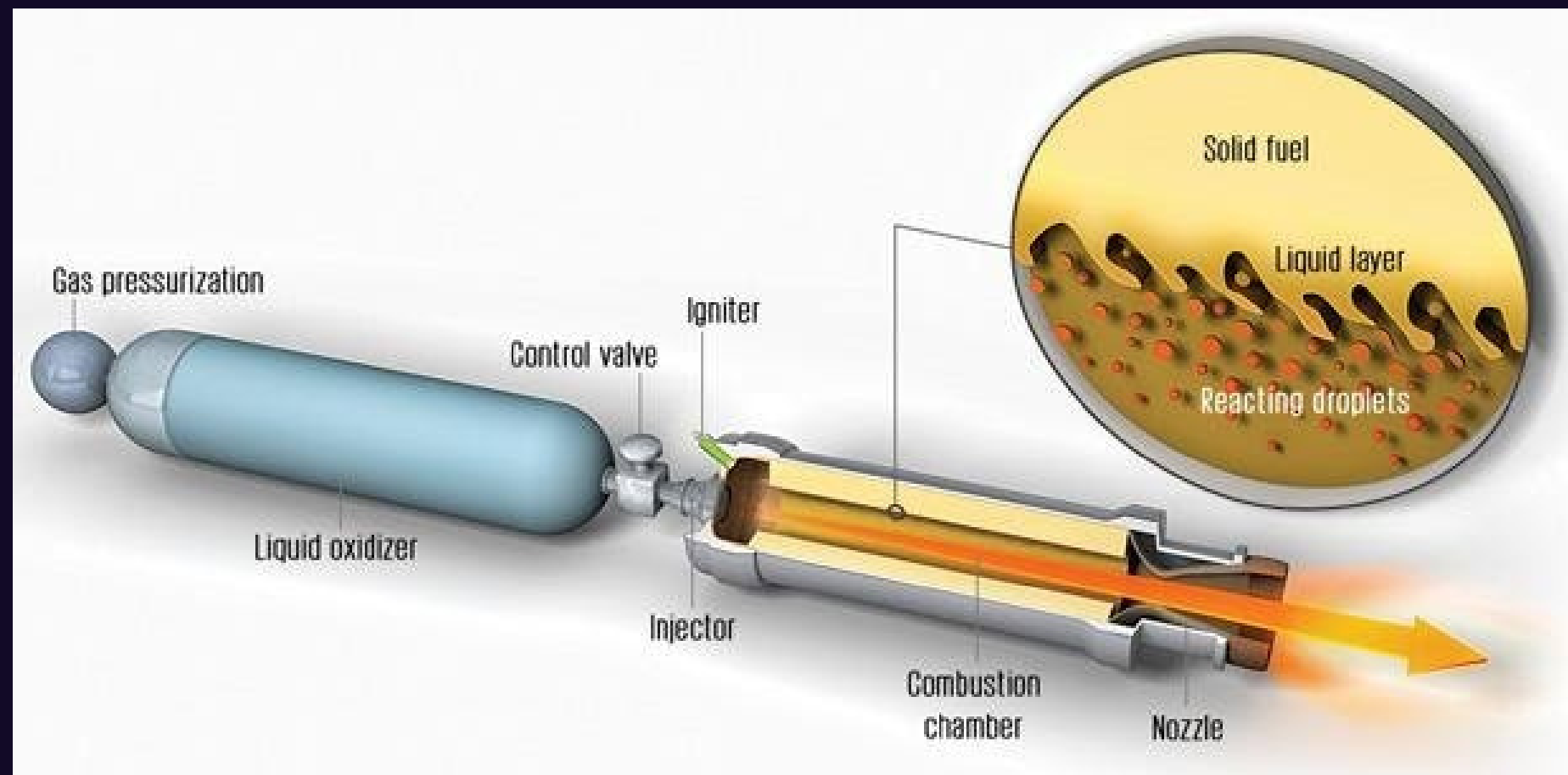
Cronos Rocket

A completely S.R.A.D. and open-source sounding rocket.

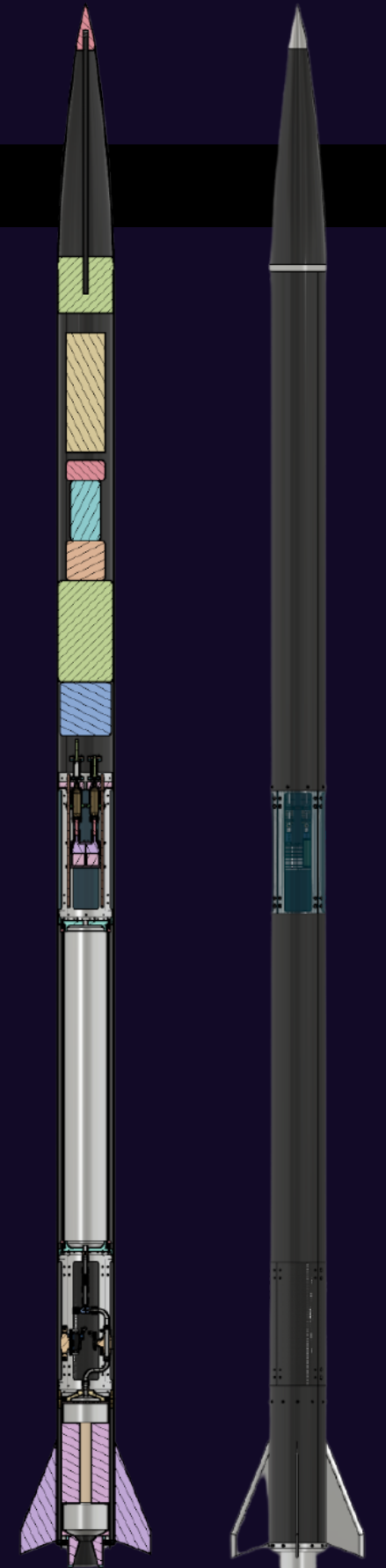
Under the auspices of Libre Space Foundation



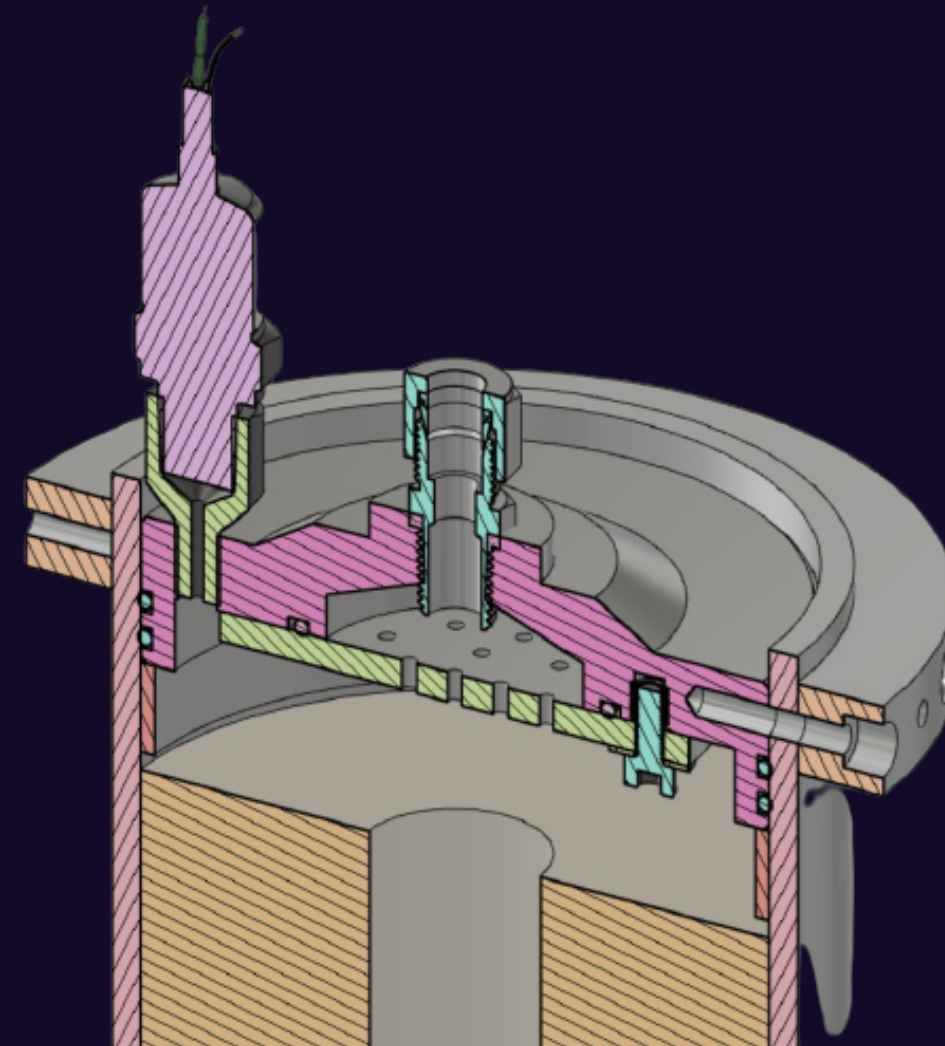
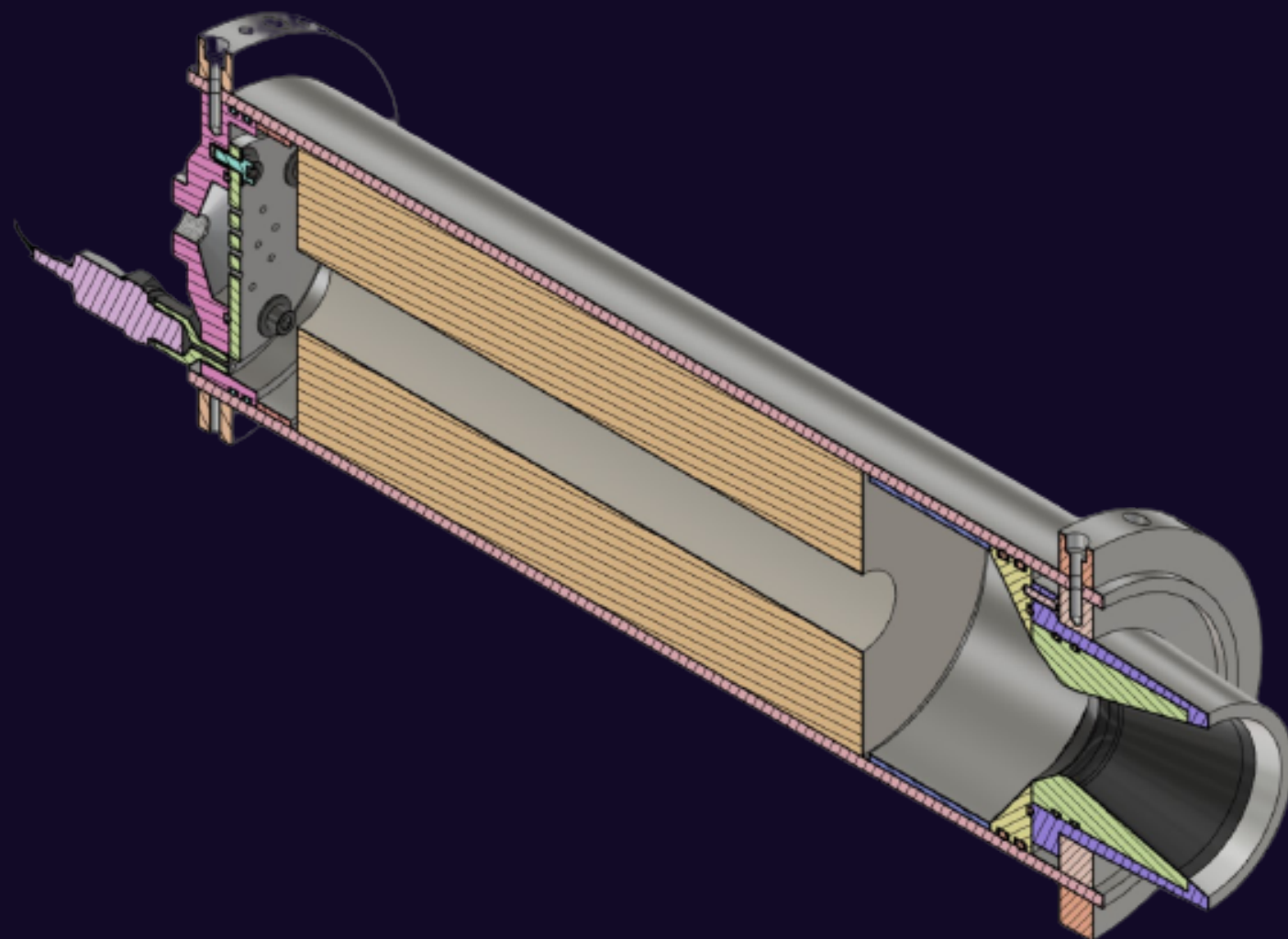
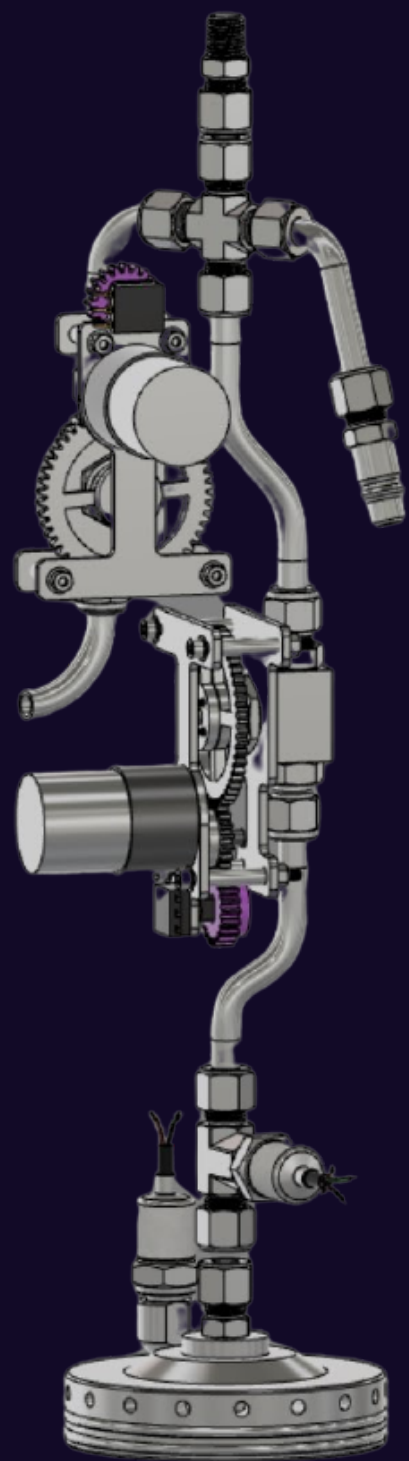
Cronos Rocket



Apogee: 3106m
Max velocity: mach 0.86
(1062km/h)
Max acceleration: 10.3 G
(101m/s²)
Dry weight: 23.32 kg
Net weight: 30 kg
Propellants: 5.68kg N₂O,
1kg paraffin.



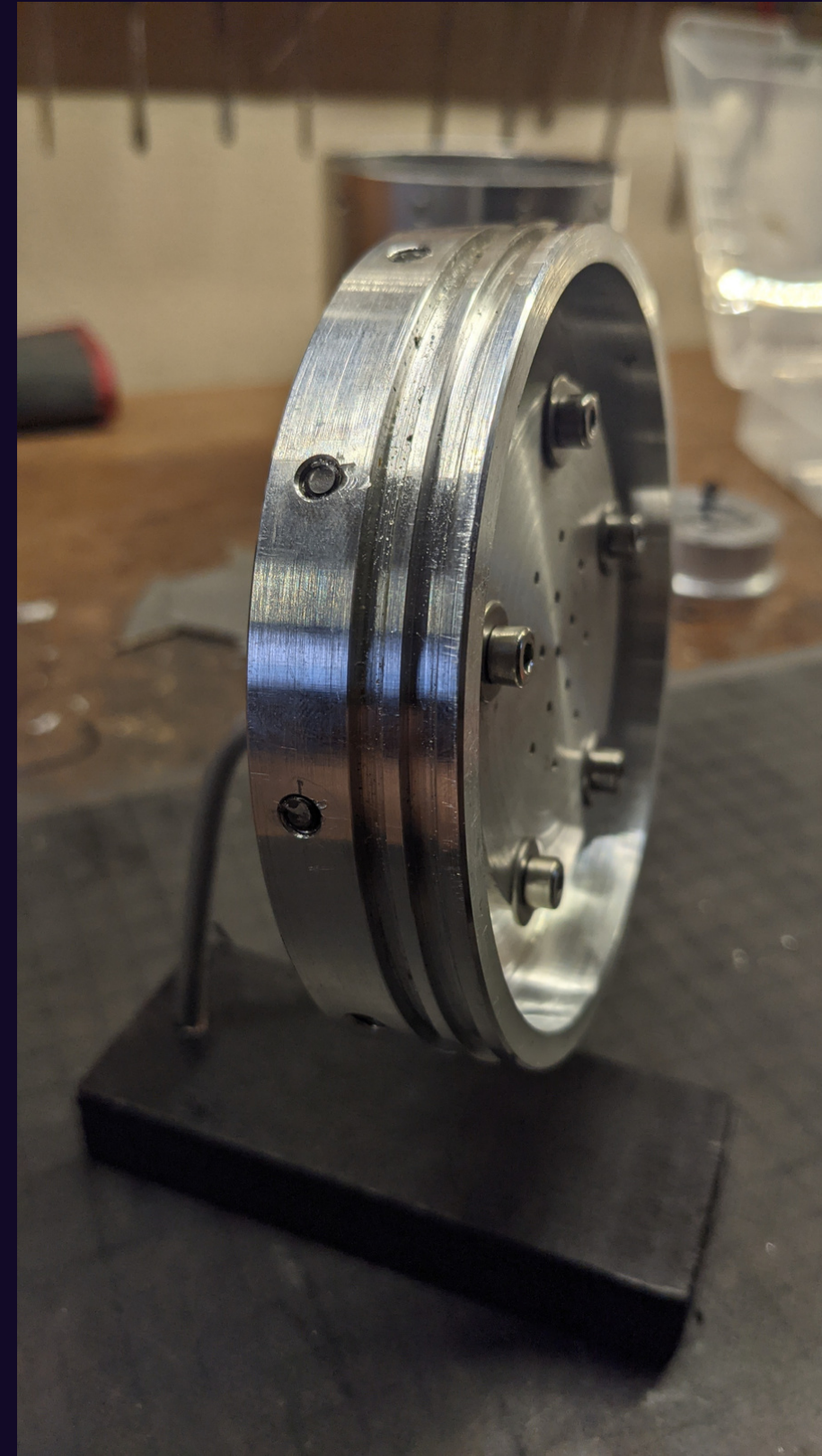
MK2 Engine



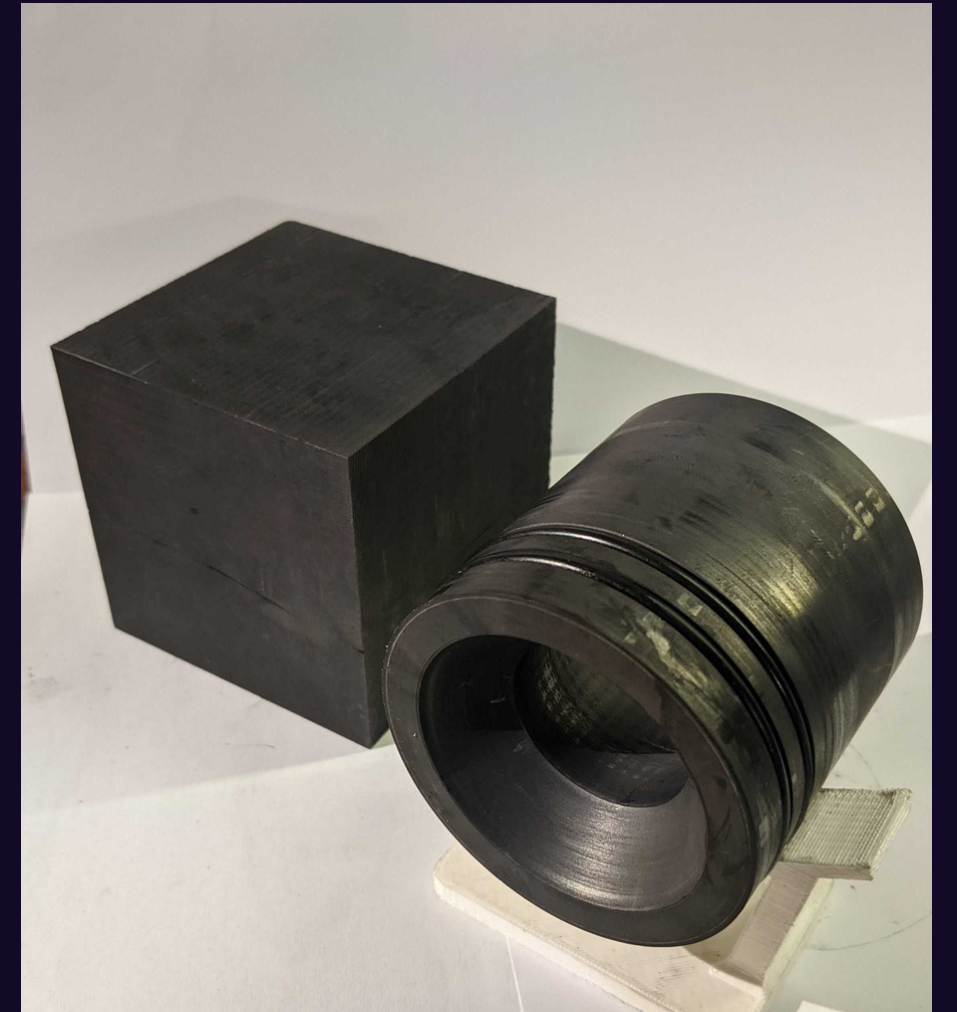
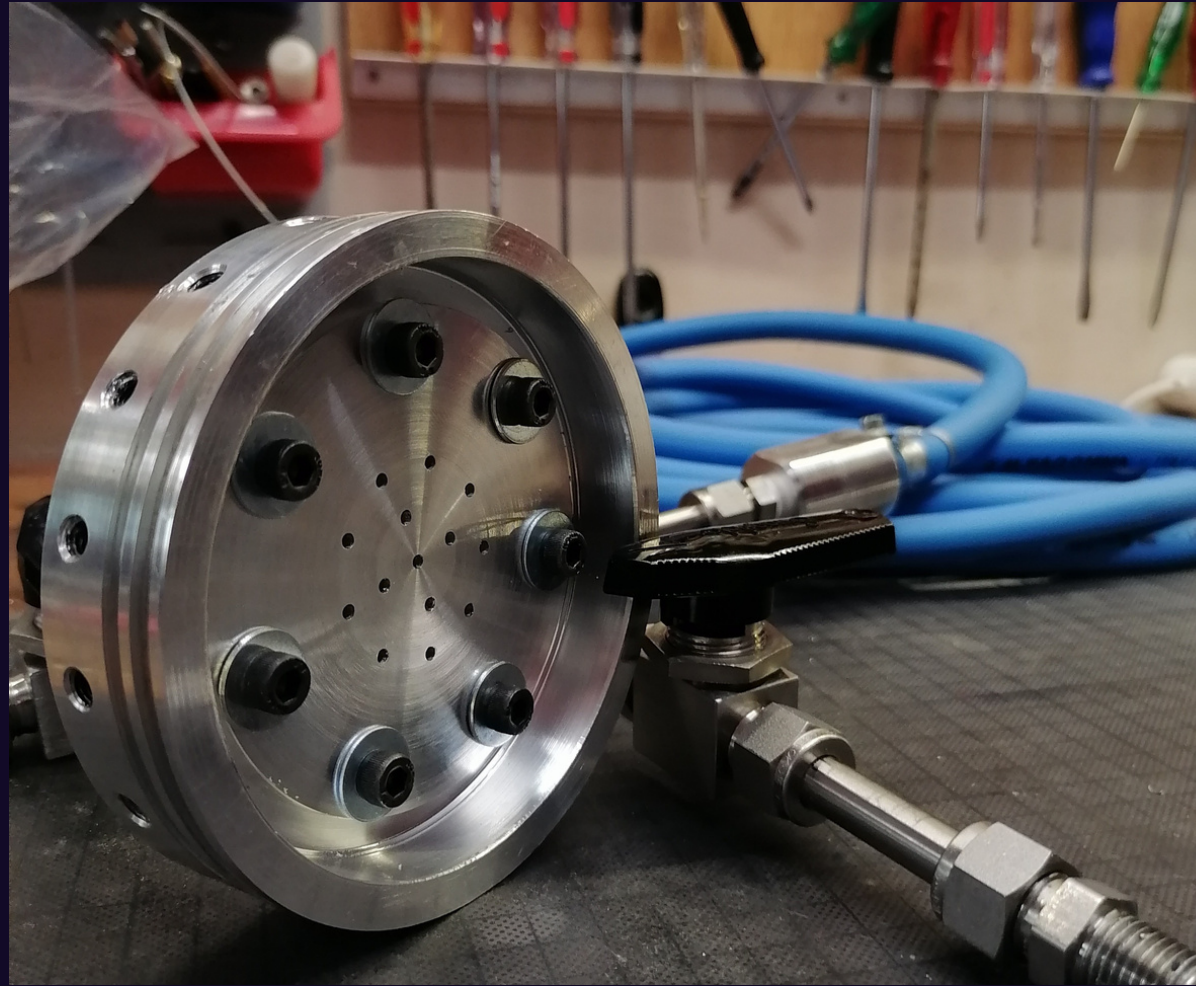
MK2 Engine



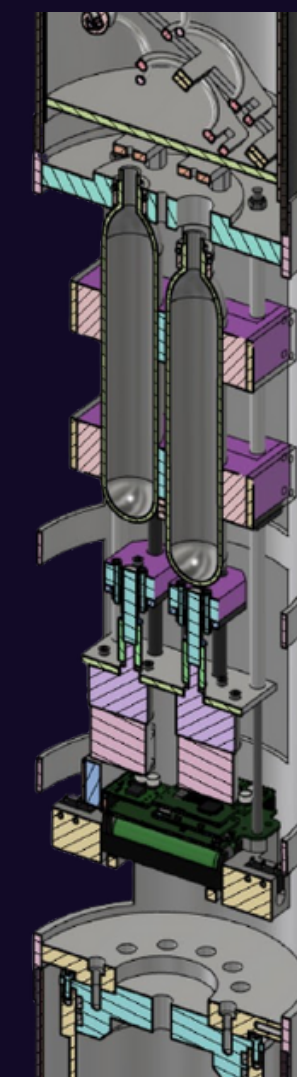
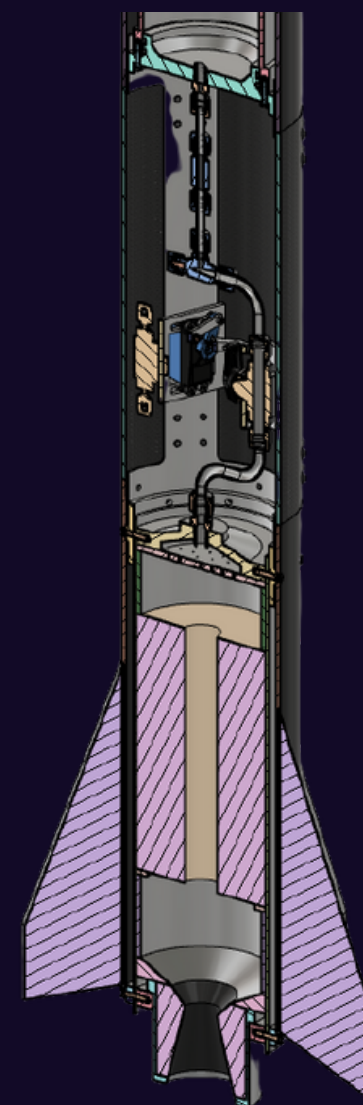
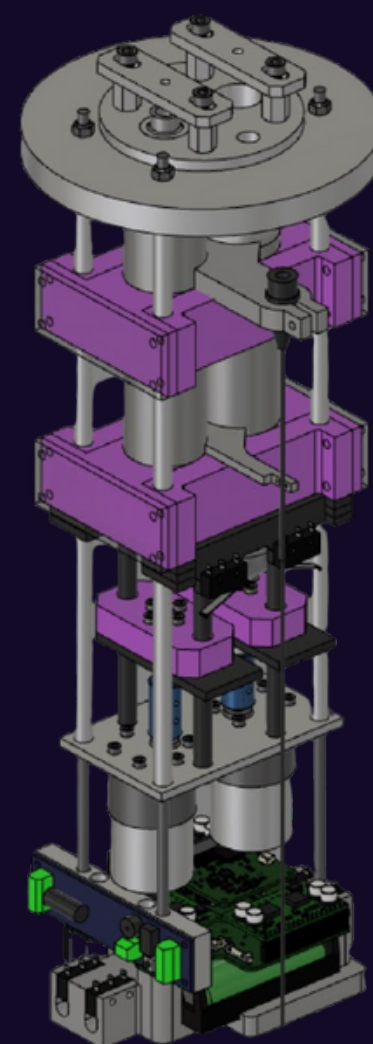
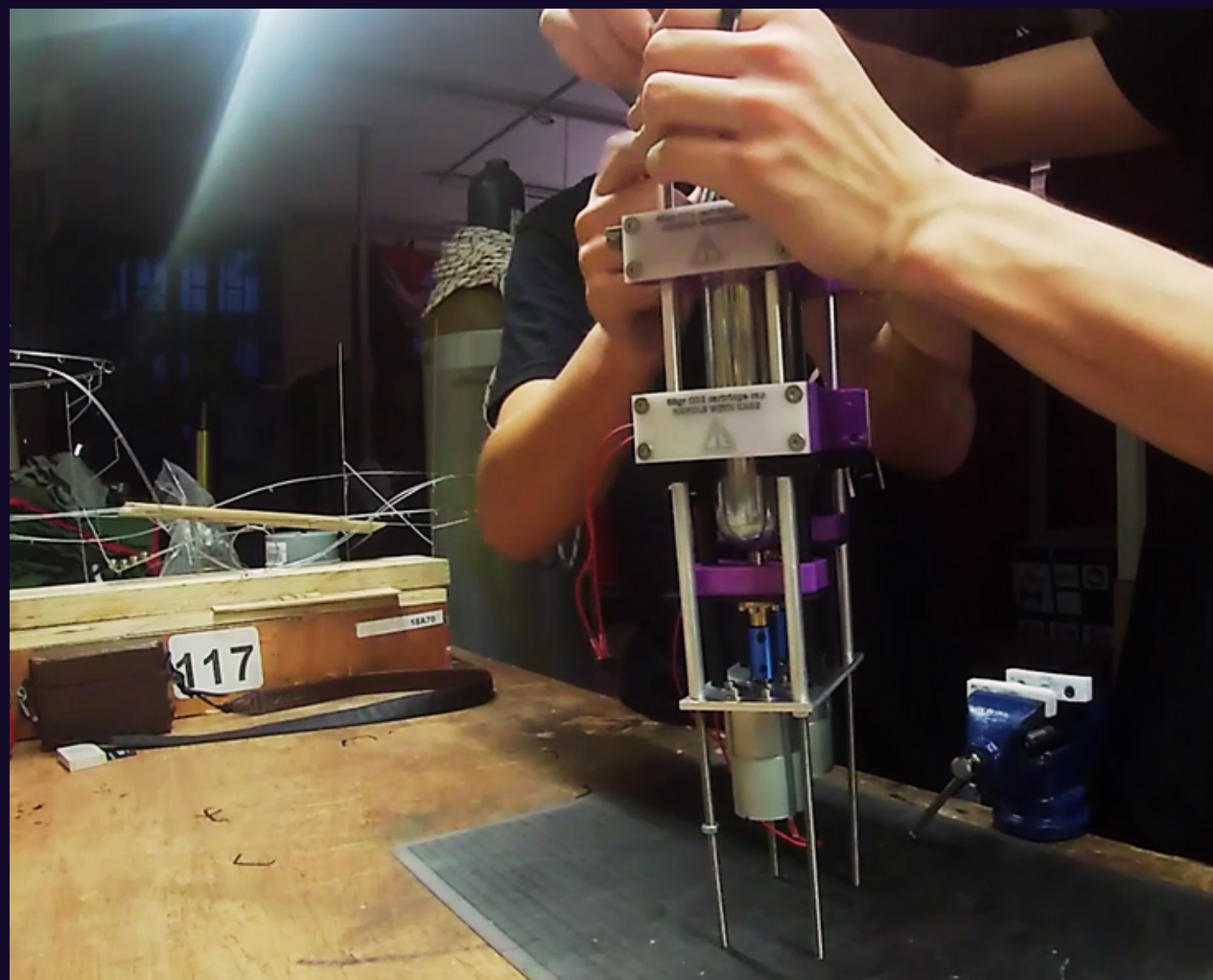
MK2 Engine



MK2 Engine

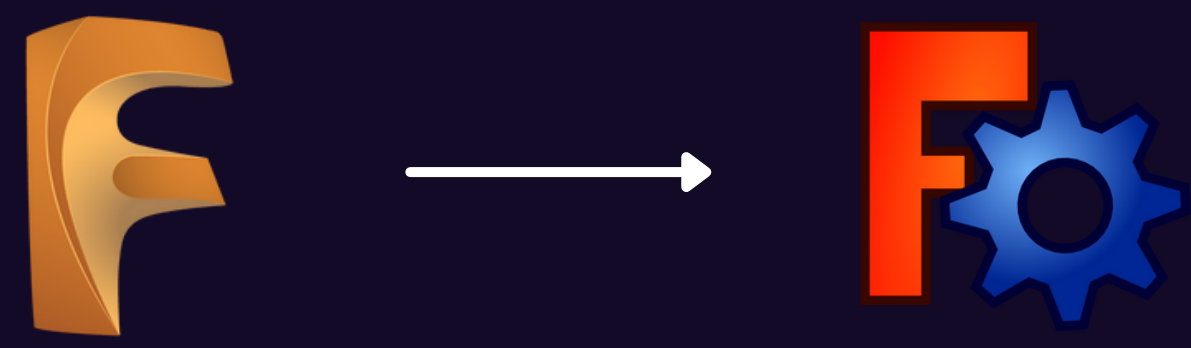
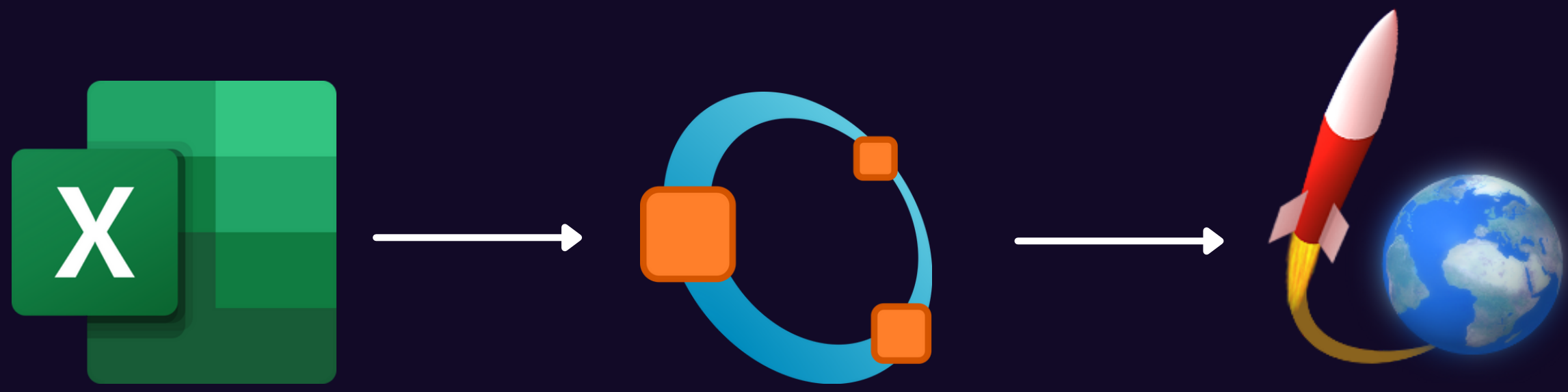


Internal structure/Recovery



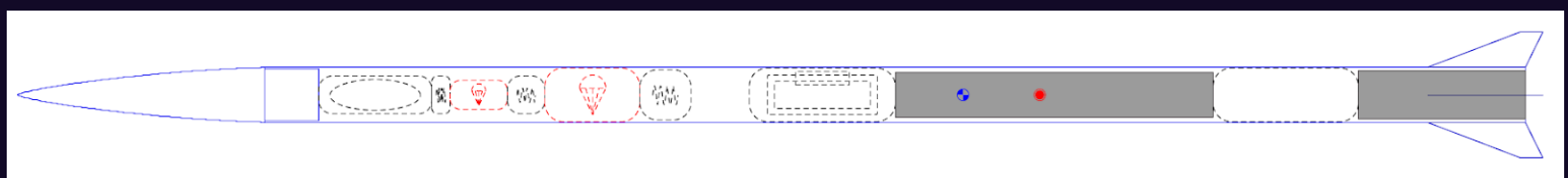
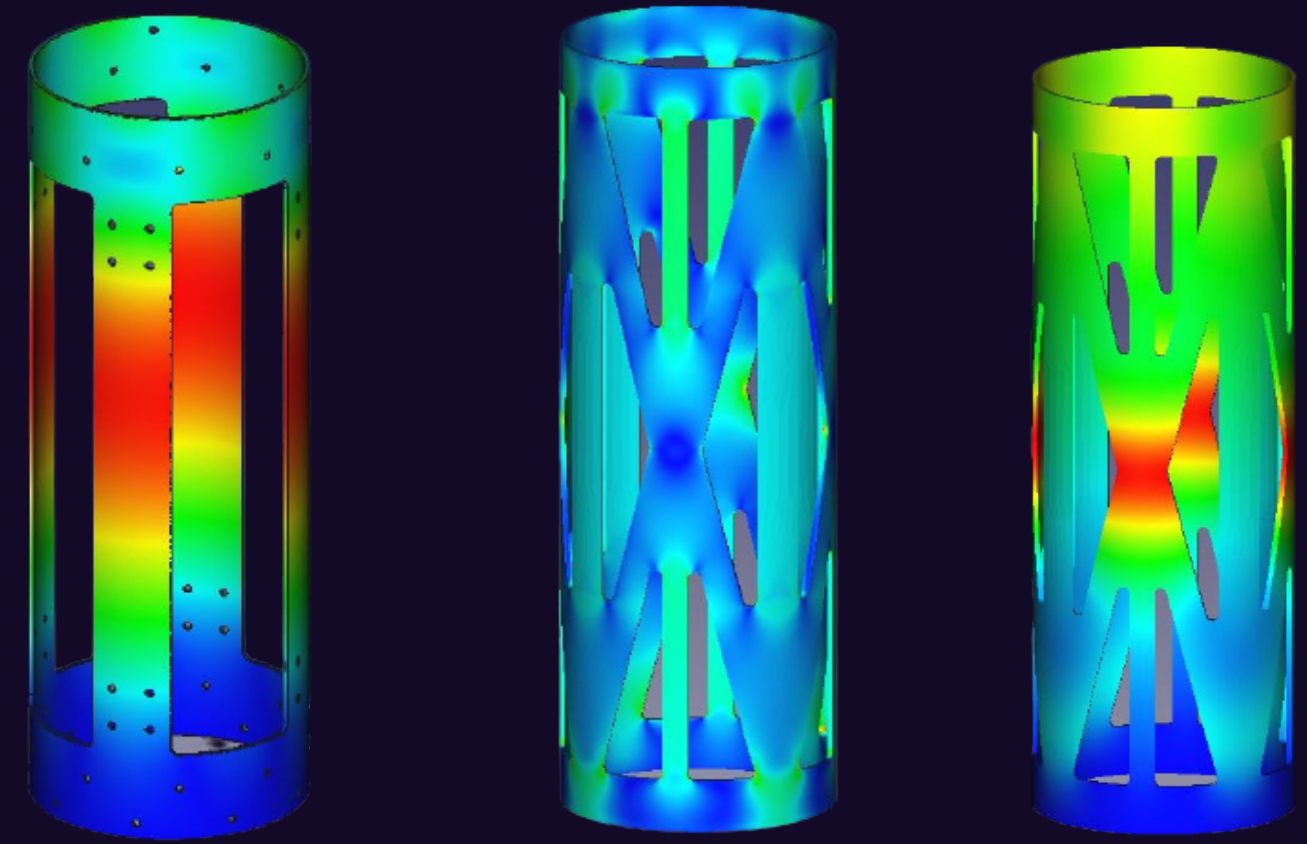
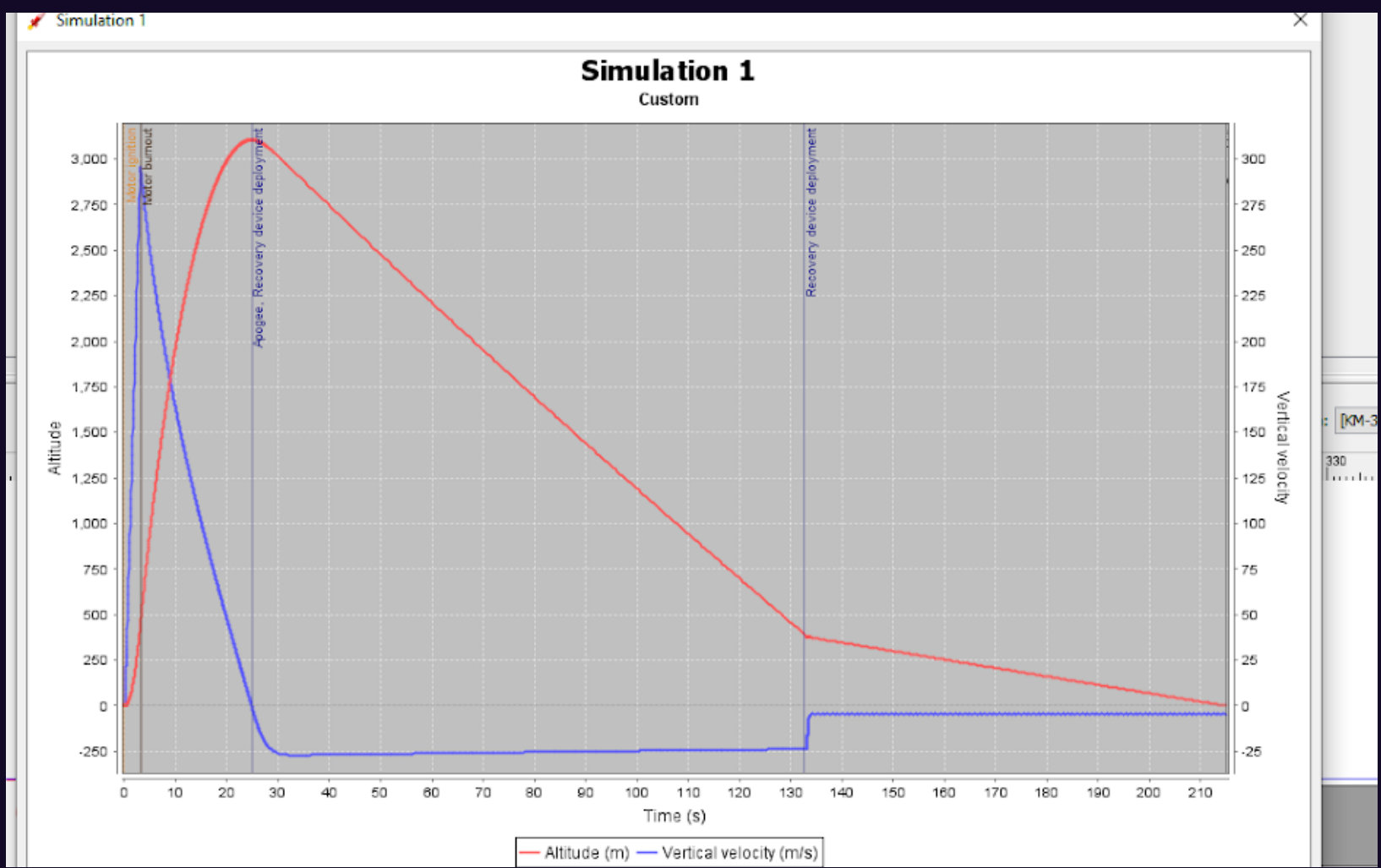
Cronos Rocket

Simulations



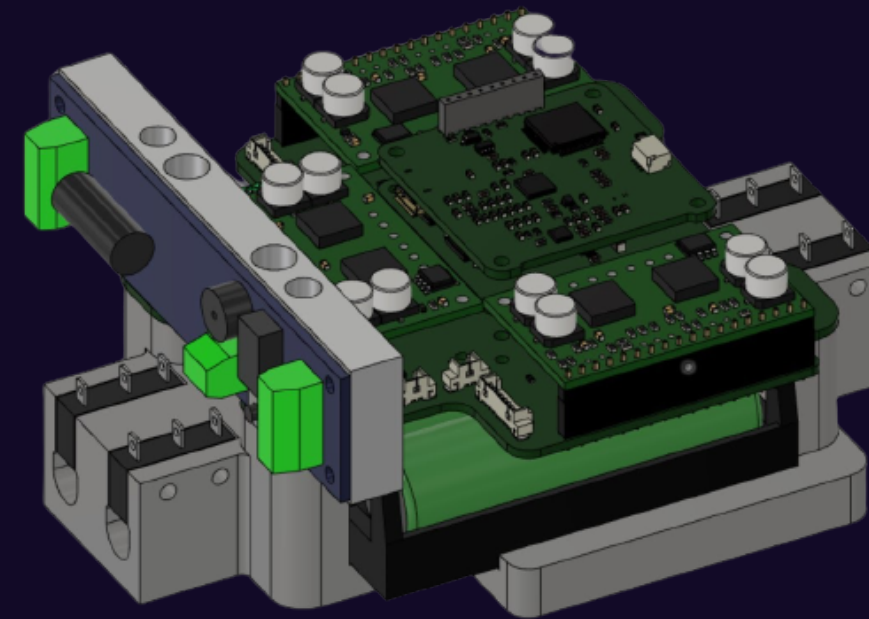
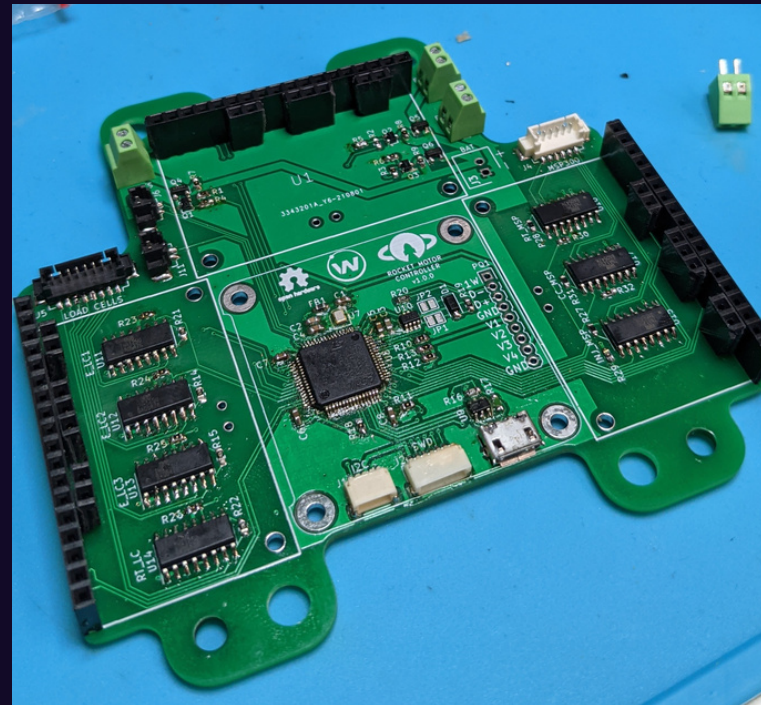
Cronos Rocket

Simulations

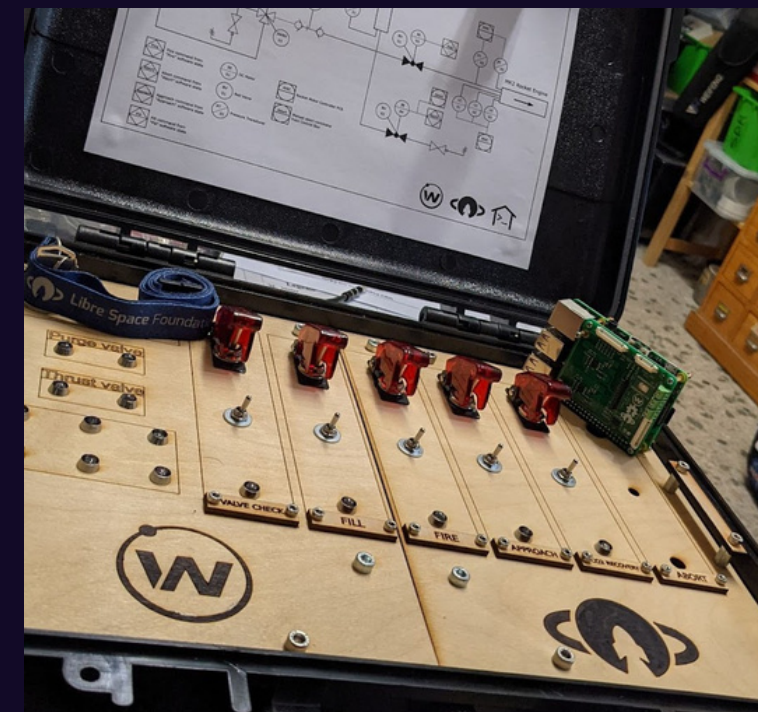
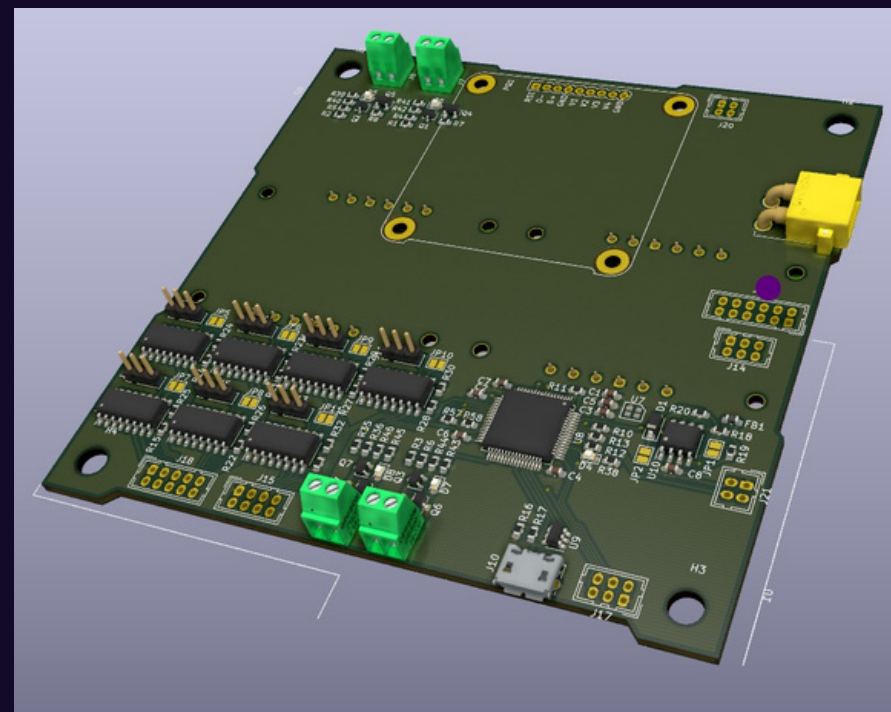


Avionics

Rocket Motor Controller V1

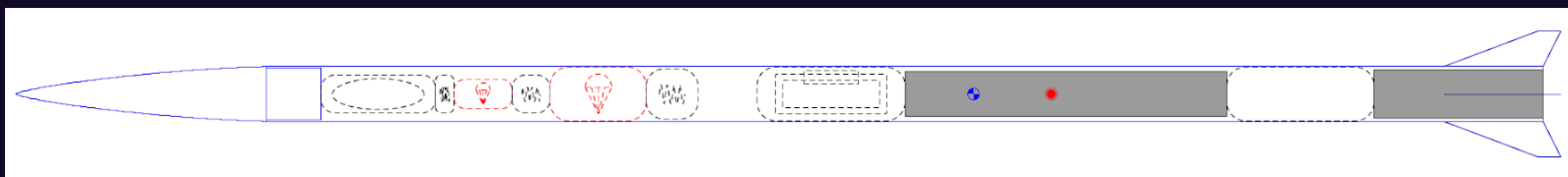
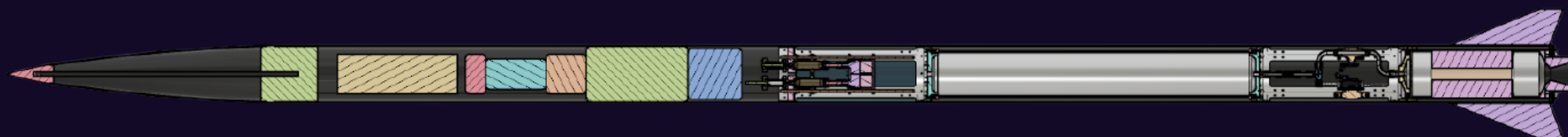
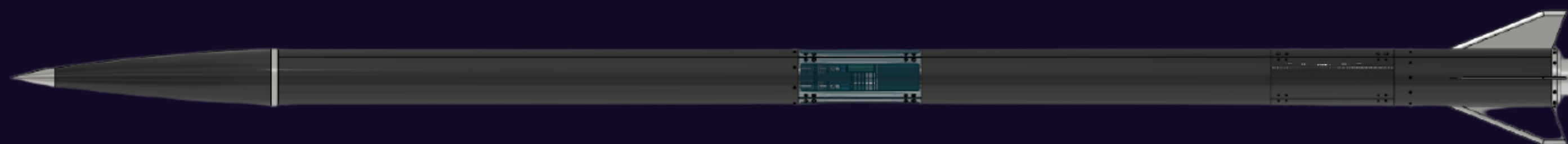


Rocket Motor Controller V1.1 / Control Box



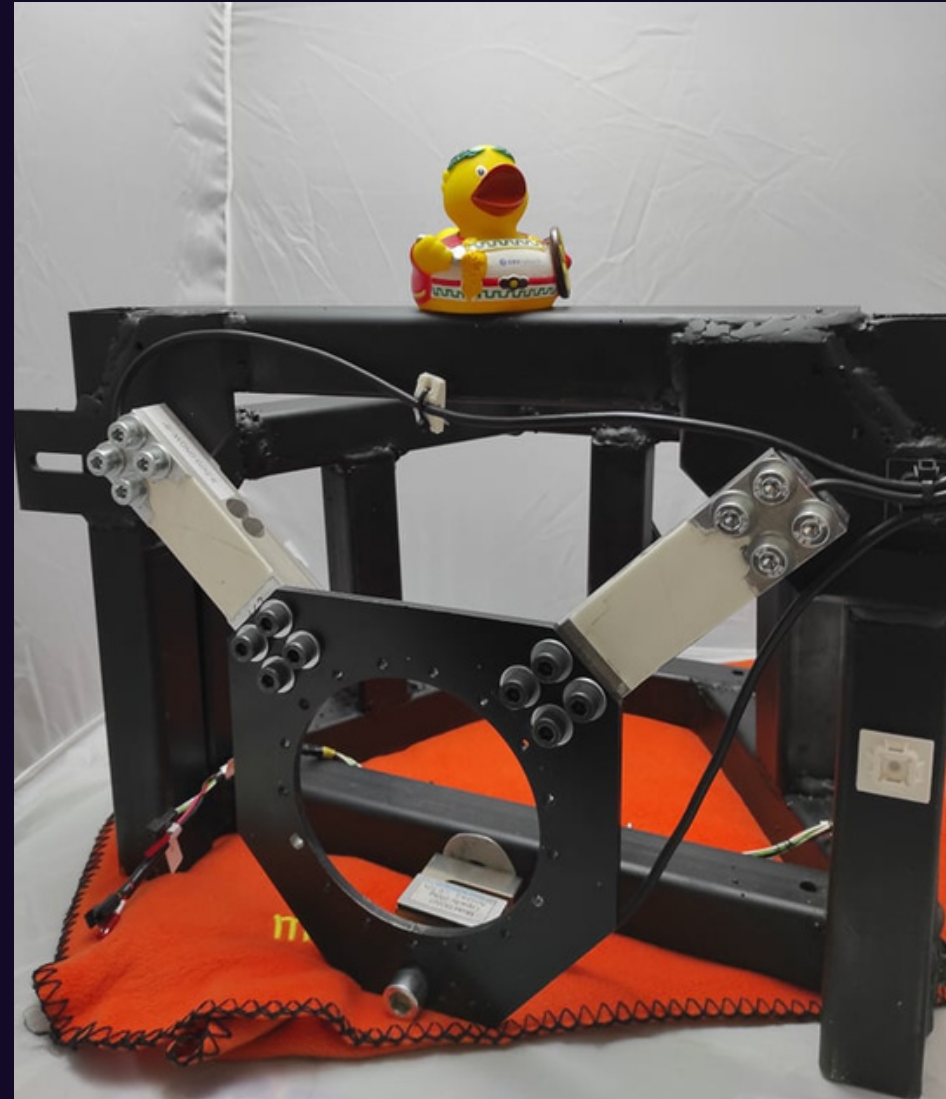
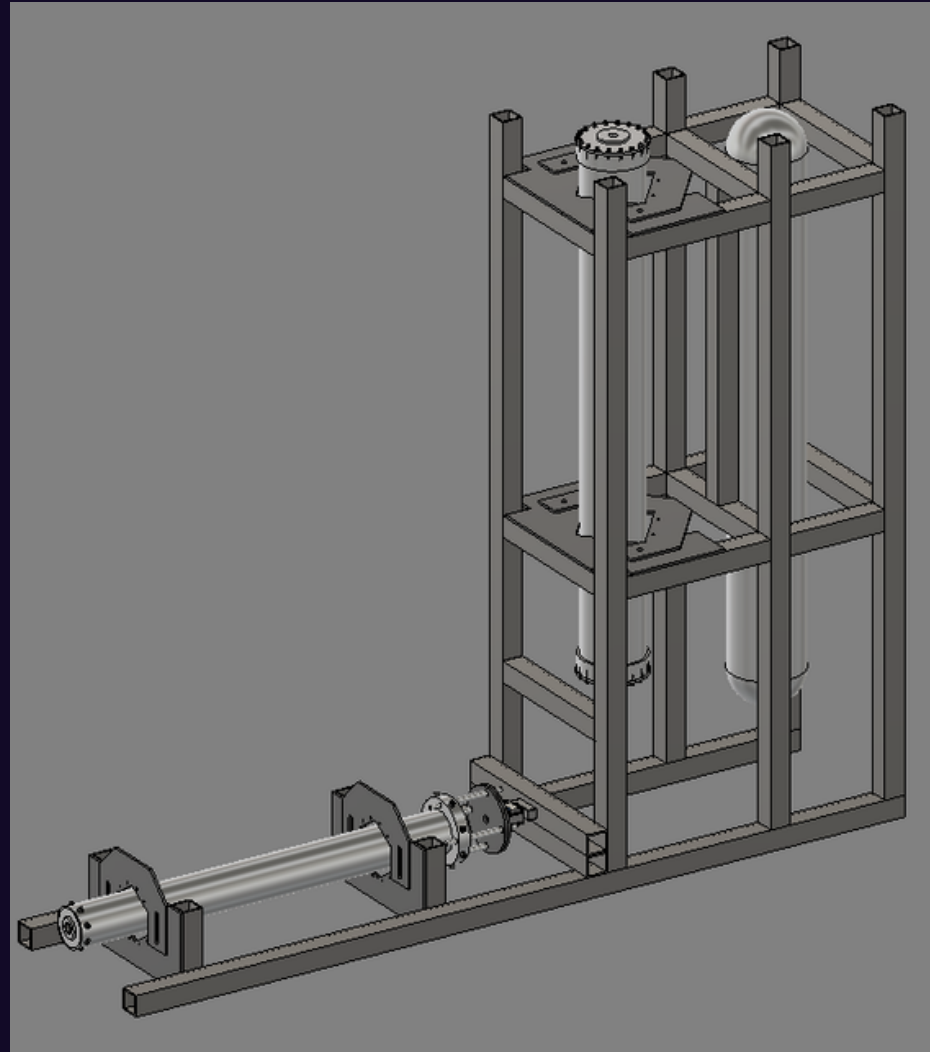
Cronos Rocket

Assembly

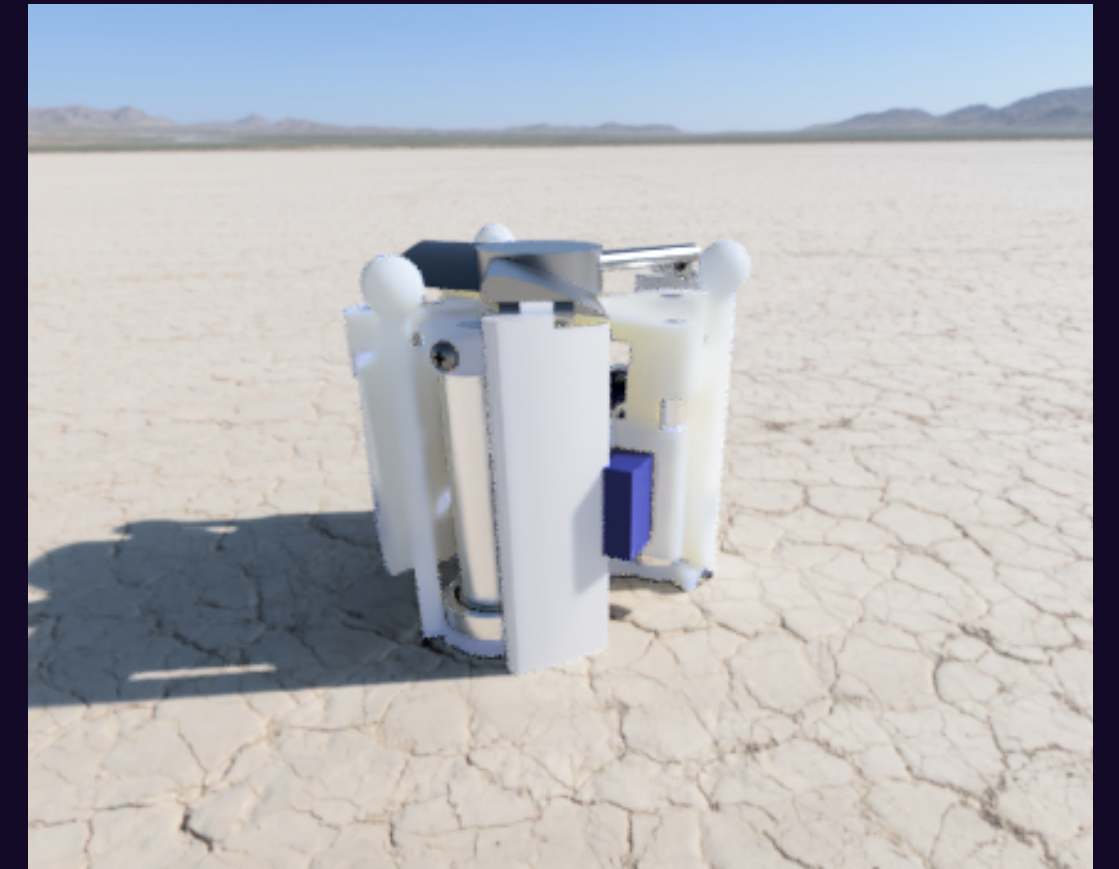
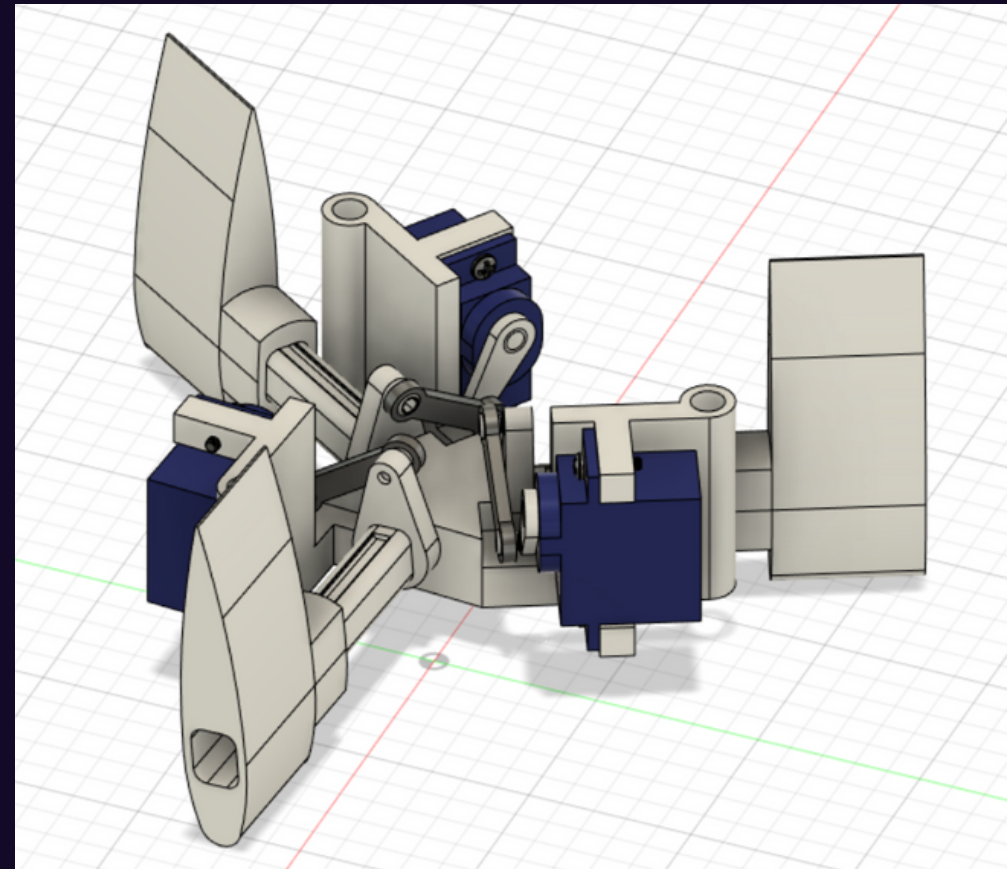


Cronos Rocket

Test Stands

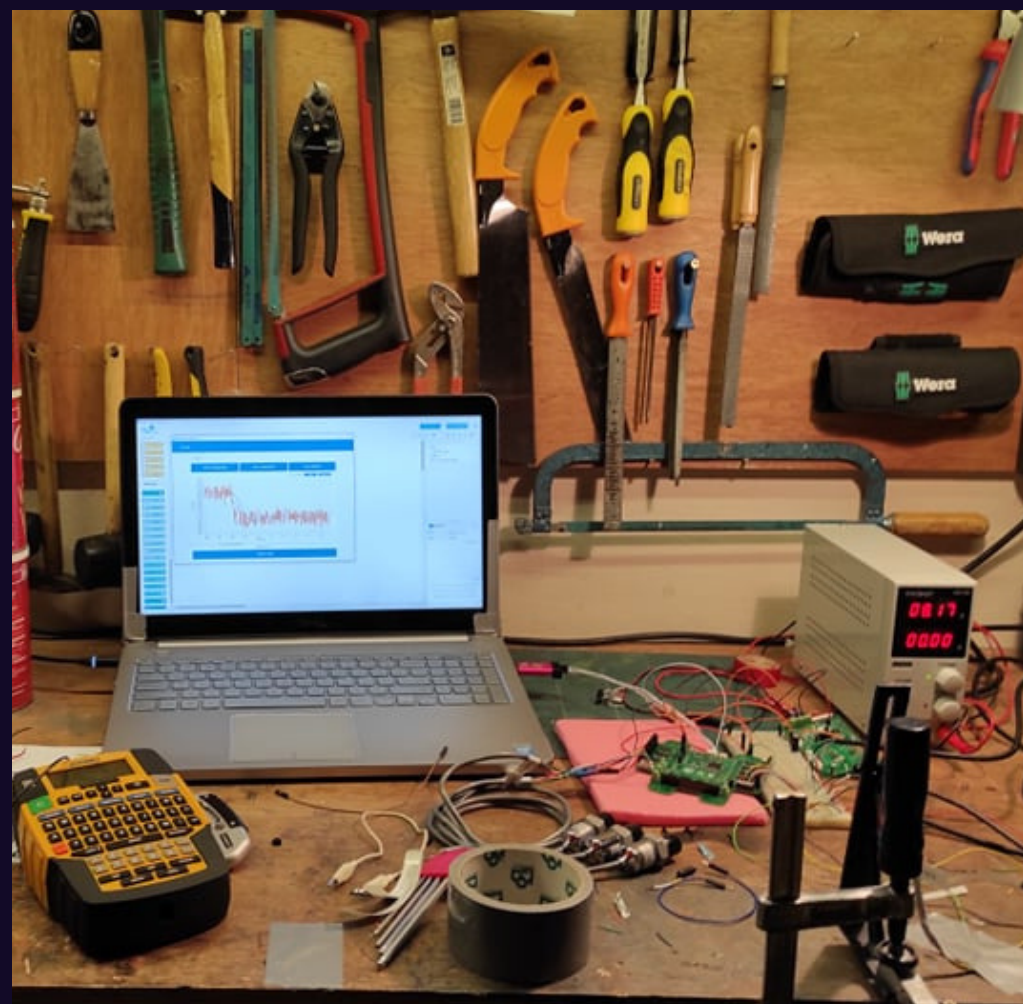


Payload



Meet The Lab

You can find us at the Hackerspace!



Meet The Lab

You can find us at Hackerspace!

